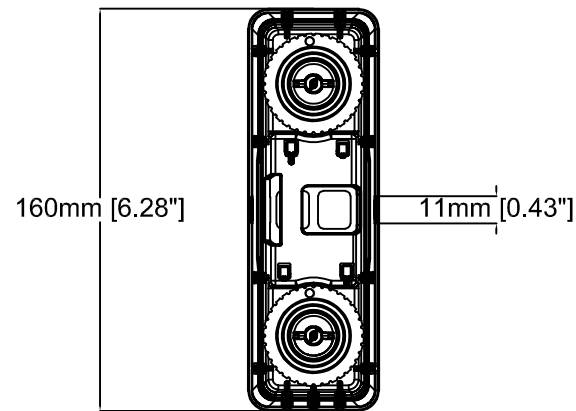
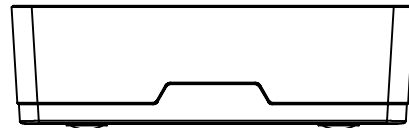
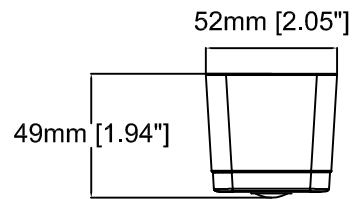
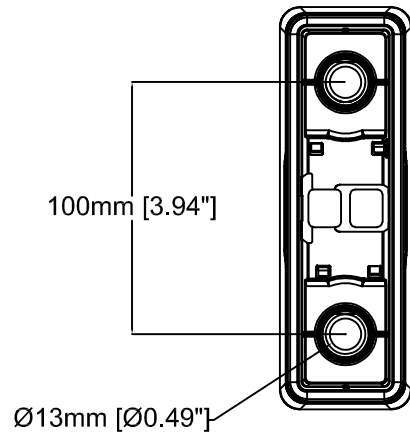
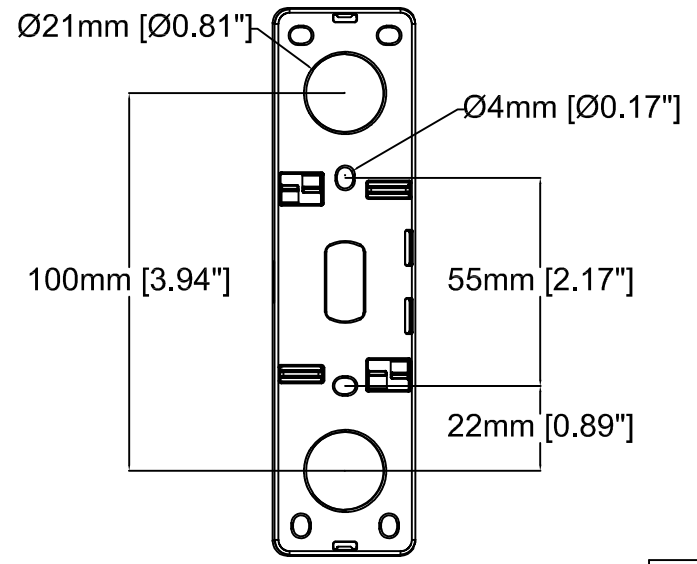
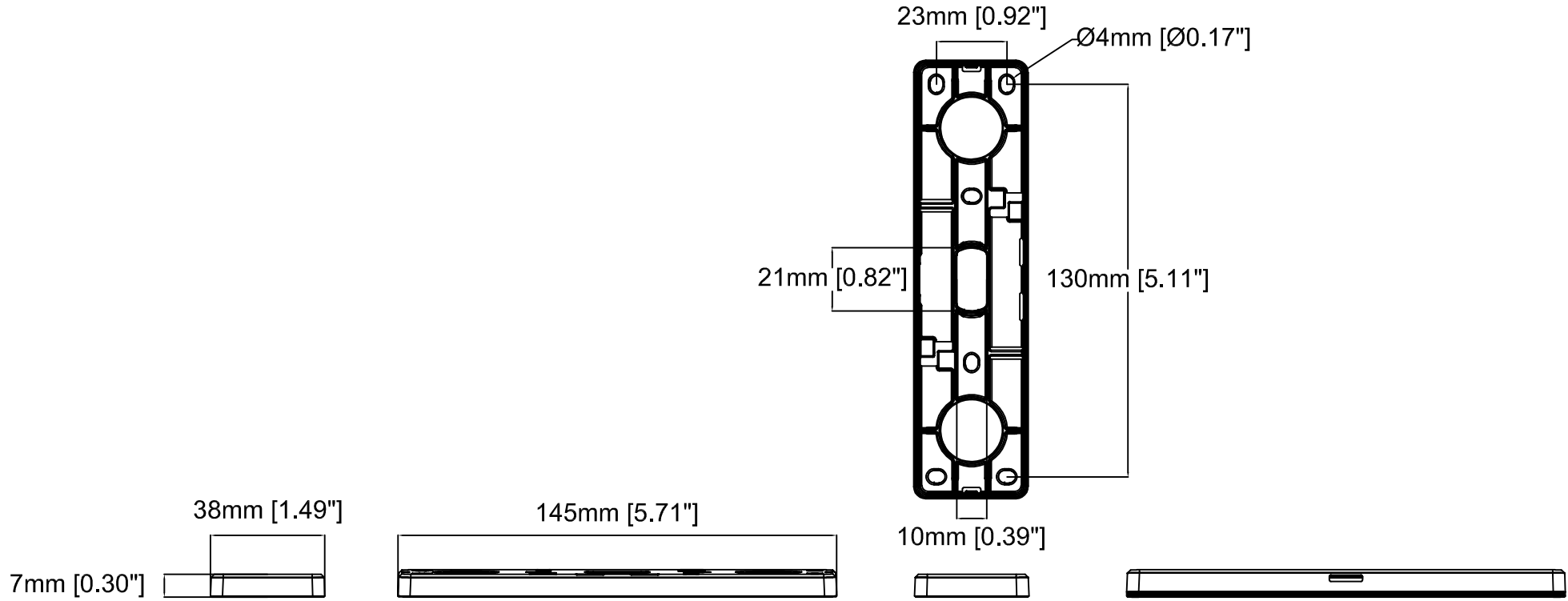


# AXIS F8804 Stereo Sensor Unit

Revision	v.01	Revision date	2018-02-27
Paper size	A4	Release date	2016-12-23
Created by	JOT	Scale	1:2

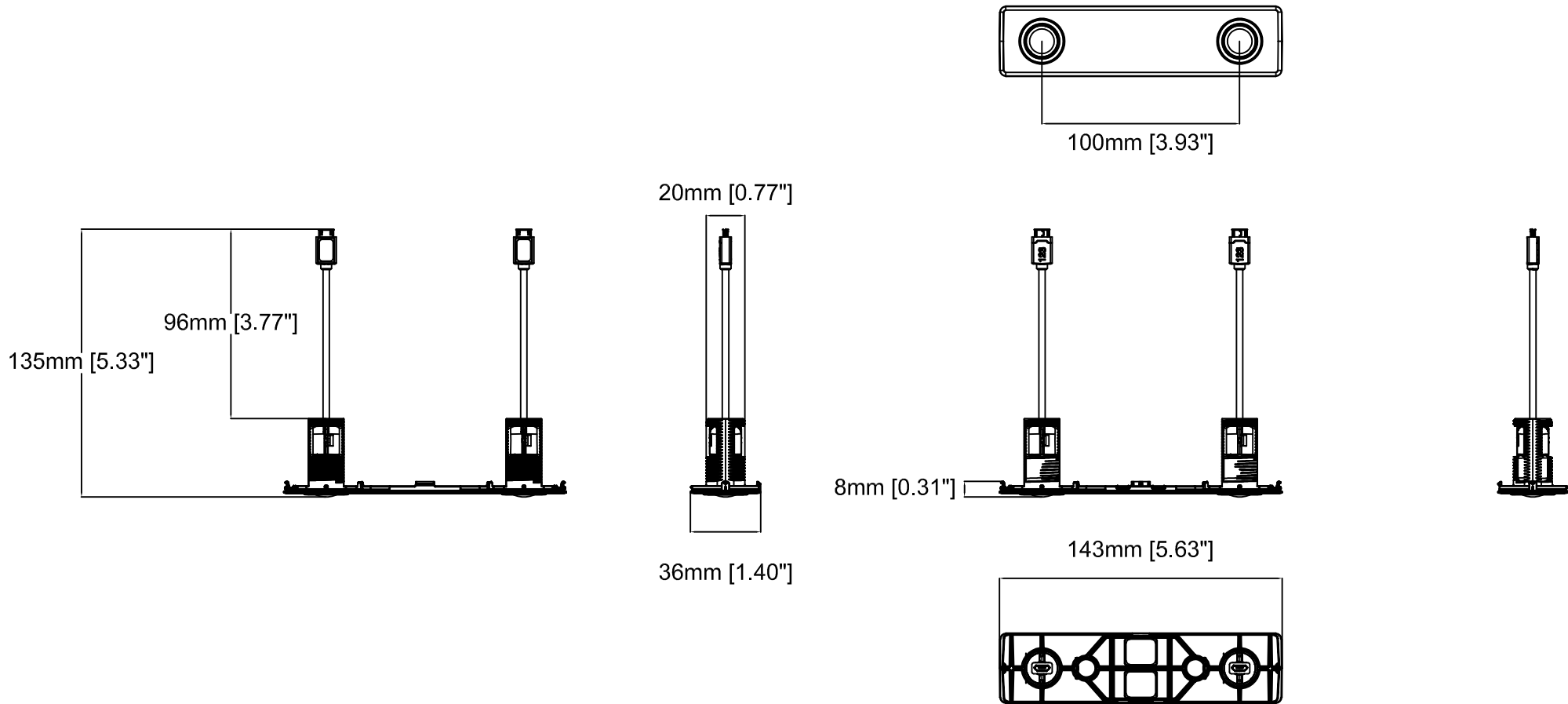


Revision	v.01	Revision date	2018-02-27
Paper size	A4	Release date	2016-12-23
Created by	JOT	Scale	1:3



# AXIS F8804 Stereo Sensor Unit

Revision	v.01	Revision date	2018-02-27
Paper size	A4	Release date	2016-12-23
Created by	JOT	Scale	1:2



Revision	v.01	Revision date	2018-02-27
Paper size	A4	Release date	2016-12-23
Created by	JOT	Scale	1:3