

## AXIS Q61-E Series

## Repainting Instructions

# AXIS Q61-E Series

## Impact on warranty

---

### Impact on warranty

This product is approved for repaint by Axis, provided that you follow the instructions in this document and at [www.axis.com/warranty-implication-when-repainting](http://www.axis.com/warranty-implication-when-repainting)

### Risks with repainting

There are several risks when disassembling or assembling an Axis product. There is always a certain yield loss during assembly. Training of operators and the use of correct tools mediates some of the problems but they can never be fully avoided. Some of the risks include:

**ESD Damage** – Always handle the product in an ESD safe environment. Even if precautions are taken there is always a risk of ESD damage. The damage can remain undetected and cause problems during the lifetime of the equipment.

**Dust contamination** – Opening a camera may expose the lens and sensor to dust or paint. Dust will affect the optical performance. Lenses need to be disassembled in a dust-free environment, preferably a cleanroom.

**Paint overspray** – Masking the different components of the equipment is critical. Failure to mask sensitive areas can cause problems with assembling the equipment. Any areas that are not painted at factory or have a different surface treatment than the rest of the parts (threads, ground and electrical contact surfaces) must also be masked to ensure function.

# AXIS Q61-E Series

## How to repaint the product

---

### How to repaint the product

#### Preparations

- If applicable, the equipment must be disassembled according to the instructions in this document.
- Each part should be stripped from components and crucial parts masked to ensure successful reassembly.
- All parts to be repainted should be stripped of gaskets, screws, electrical components, connectors and plugs, windows and domes.
- All parts to be repainted must be thoroughly cleaned to remove grease, dust or oil.
- To ensure reassembly and functionality of the product, openings for screws, LED indicators, or microphones must be masked before painting.

#### Pretreatment of parts

Depending on the part material and type of paint applied at factory, different pretreatments should be done for the new paint to adhere as well as possible. For all variants though, proper cleaning to remove oil, grease and dust is strongly recommended.

For more information on the materials used in the product, see its datasheet at [www.axis.com](http://www.axis.com)

**Powder coated parts** – Using fine sandpaper, remove the original powder coating down to the stainless steel surface and clean the parts before painting, or use a primer.

**Anodised and chromated parts** – Use a primer.

**Uncoated stainless steel** – No special pretreatment is needed, but make sure that the surface is clean before painting.

**Plastic** – Use a primer.

#### Repainting

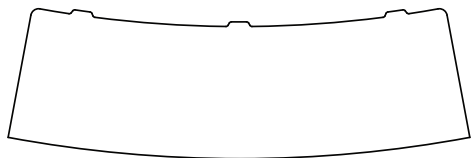
Use the templates delivered with the product and follow the instructions below.

# AXIS Q61-E Series

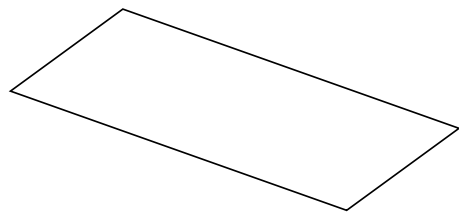
## How to repaint the product

---

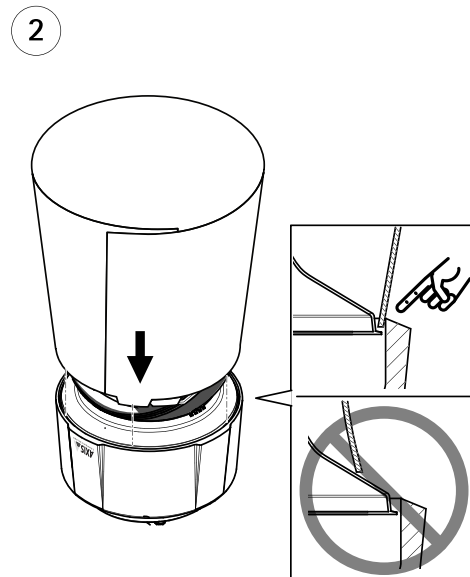
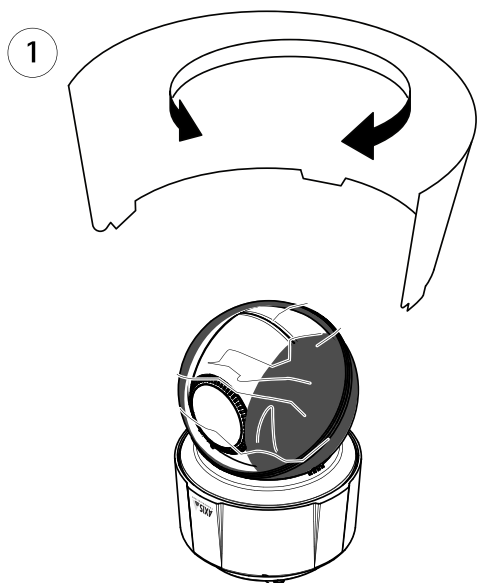
### 1513826 BASE PAINT CONE Q61-E 192x593MM



1x



1x



# AXIS Q61-E Series

## How to repaint the product

---

