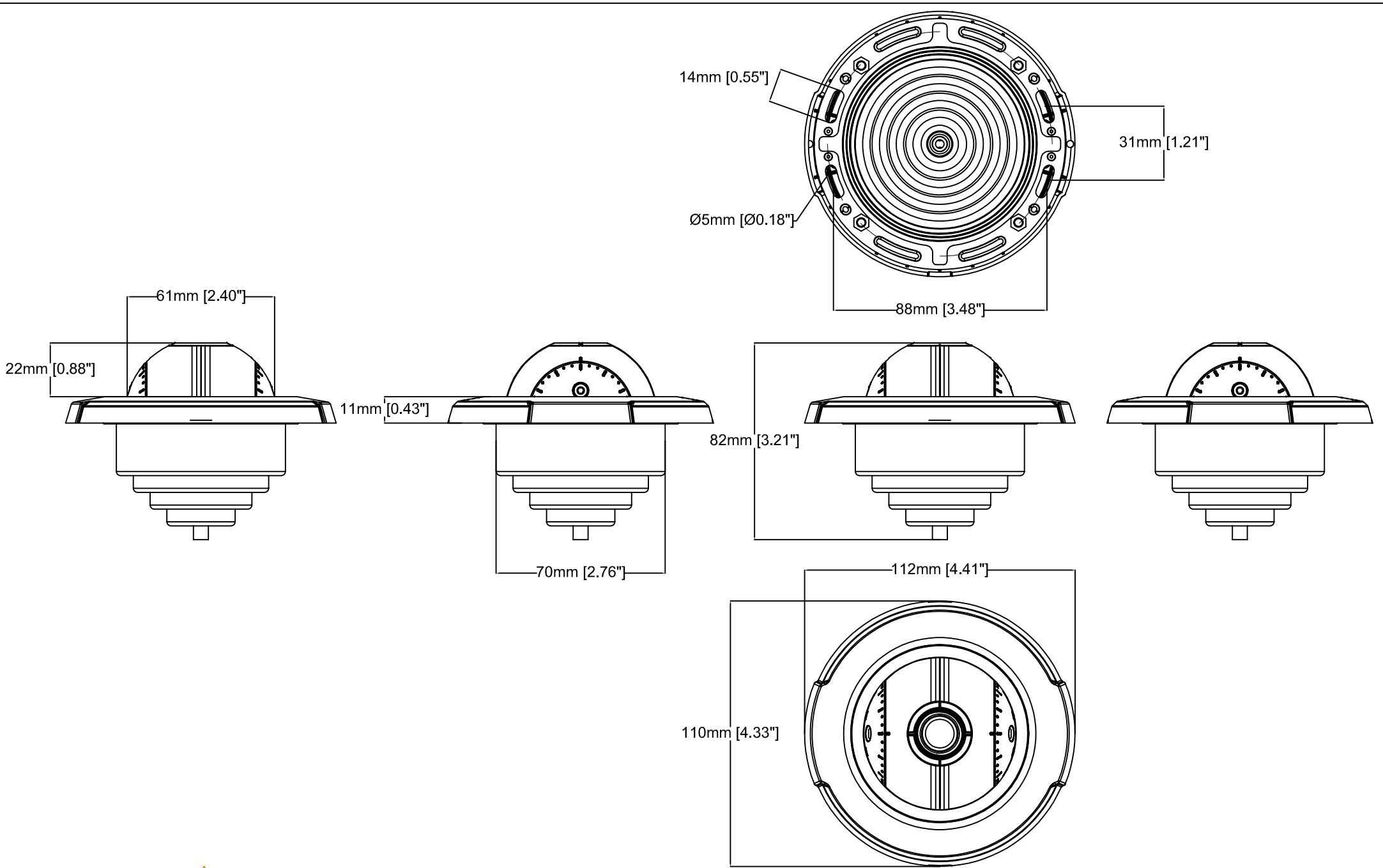
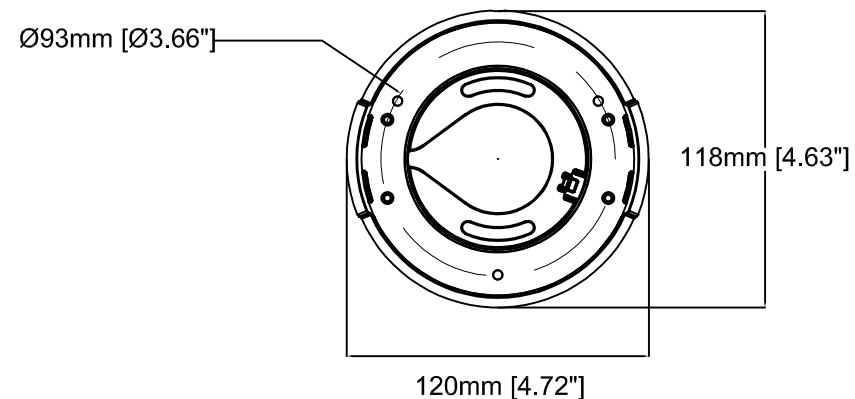
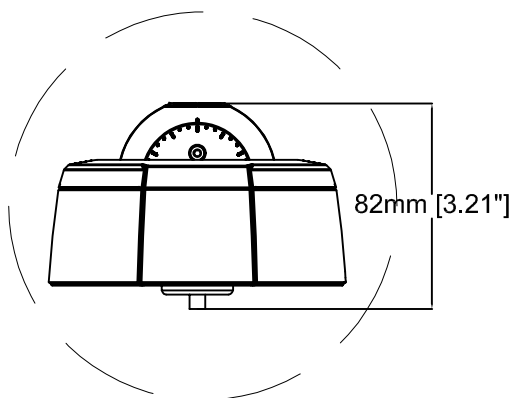
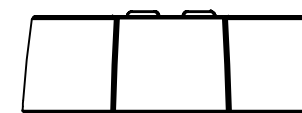
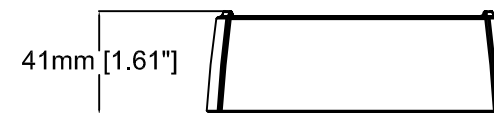
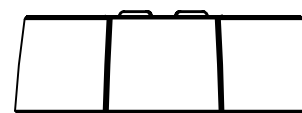
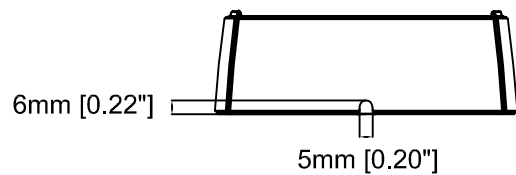
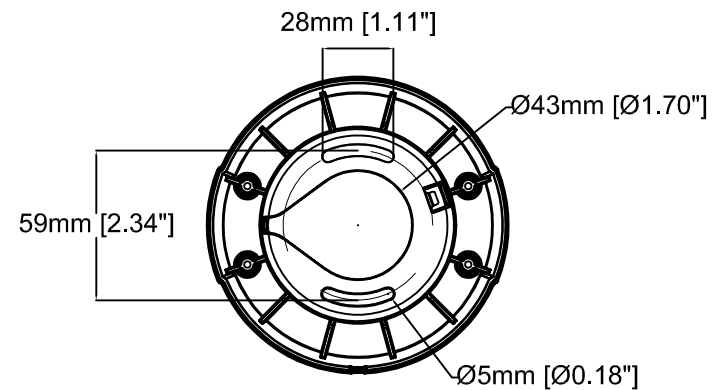
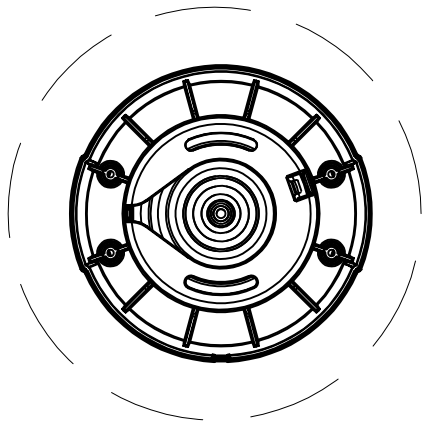


Revision	v.01	Revision date	2017-10-27
Paper size	A4	Release date	2015-06-04
Created by	JOT	Scale	1:2



AXIS F4005 Dome Sensor Unit

Revision	v.01	Revision date	2017-10-27
Paper size	A4	Release date	2015-06-4
Created by	JOT	Scale	1:2



AXIS Adapter Flush Mount F4005 F4005 Dome Sensor Unit

Revision	v.01	Revision date	2017-10-27
Paper size	A4	Release date	2015-06-04
Created by	JOT	Scale	1:3