

AXIS M31 Series

Repainting Instructions

AXIS M31 Series

Impact on warranty

Impact on warranty

Repainting made on this product, which are not approved by Axis Communications AB, will void Axis product warranty. Thus, Axis Communications AB only warrants the Axis product in its original form.

If repainting nevertheless is made, the following conditions and instructions are recommended:

- Any and all standard precautions should be taken to backup data that is business critical.
- The procedure of repainting will not be supported by Axis technical support.
- The purpose of disassembling and reassembling the product is to repaint only.
- The disassembling and reassembling is carried out in a professional and careful manner and does not intervene with normal operation of the products.

In addition, the product performance may also deteriorate due to the repainting according to the following, non-exhaustive, list:

- Paint adds weight to the product, therefore speed and acceleration may be affected.
- Darker colors absorb more sunlight. The temperature specification of the product may be limited.
- Increased friction in the joints of the product increases strain and may affect the lifetime expectancy.
- Any paint used must be compatible and non-damaging to plastics [and glass? Så står det i listan nedan.
- The Axis label with the product part number and serial number must be clear and legible at all times.
- Repainting may only be done to the casing and/or stand of the product. Under no circumstances may bubbles and/or lenses be repainted.
- Repainting may change the tolerances in the mechanics and obstruct the assembly of the product.

For information about Axis' product warranty and thereto related information, go to www.axis.com/warranty/

Risks with repainting

There are several risks when disassembling or assembling an Axis product. There is always a certain yield loss during assembly. Training of operators and the use of correct tools mediates some of the problems but they can never be fully avoided. Some of the risks are listed below:

ESD Damage – Always handle the product in an ESD safe environment. Even if precautions are taken there is always a risk of ESD damage. The damage can remain undetected and cause problems during the lifetime of the equipment.

Dust contamination – Opening a camera may expose the lens and sensor to dust or paint; dust will affect the optical performance. Lenses need to be disassembled in a dust-free environment, preferably a cleanroom.

Paint overspray – Masking of the different components of the equipment is critical. Failure to mask sensitive areas could cause problems with assembling the equipment. Any areas that are not painted from factory or have a different surface treatment than the rest of the part (threads, ground and electrical contact surfaces) must also be masked to ensure function.

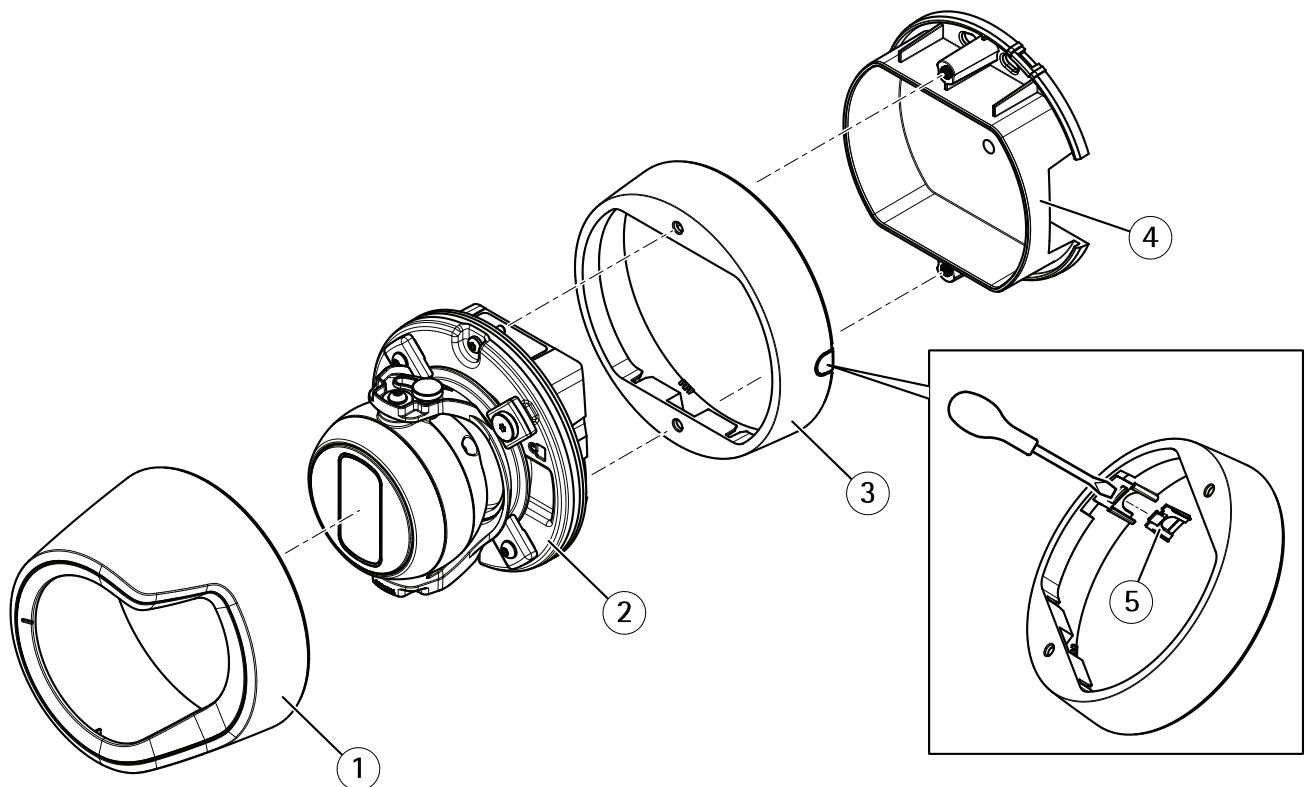
AXIS M31 Series

How to repaint the product

How to repaint the product

Disassembly

1. Remove the pan cover, the bottom cover, and the mounting bracket from the camera unit.
2. Remove the cable lid from the bottom cover.



- 1 Pan cover
- 2 Camera unit
- 3 Bottom cover
- 4 Mounting bracket
- 5 Cable lid

Preparations

- The equipment must be disassembled according to instructions *How to repaint the product on page 3*.
- Each part is then stripped from components and crucial parts are masked to ensure successful reassembly.
- All parts to be repainted should be stripped of gaskets, screws, electrical components, connectors and plugs, windows and domes.
- All parts to be repainted must be thoroughly cleaned to remove grease, dust or oil.
- To ensure reassembly and functionality of the product, openings for screws, LED indicators, or microphones must be masked before painting.

AXIS M31 Series

How to repaint the product

Pretreatment of parts

Depending on the part material and type of paint applied from factory, different pretreatments should be done for the new paint to adhere as well as possible. For all variants though, proper cleaning to remove oil, grease and dust is strongly recommended.

For information about which materials are used in the product, see the datasheet available at www.axis.com

Powder coated parts – Using very fine sandpaper (P240), remove the original powder coating down to the stainless steel surface and clean the parts before painting, or use primer.

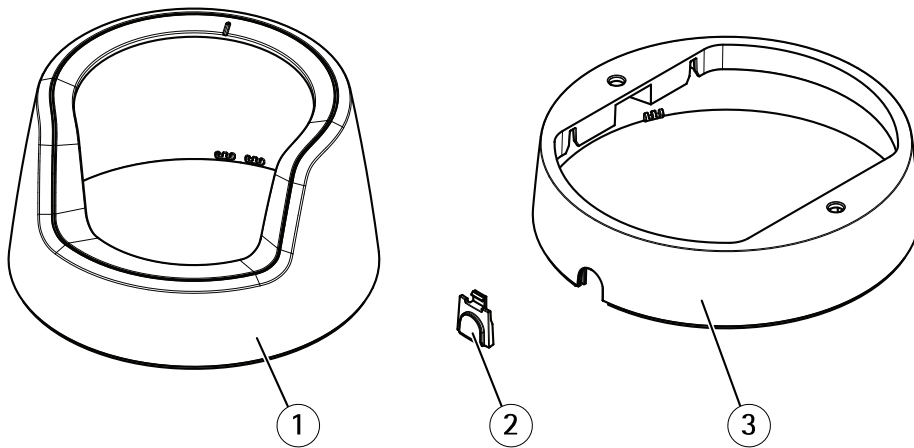
Anodised and chromated parts – Primer is required.

Uncoated stainless steel – No special pretreatment is needed. Just make sure the surface is clean before painting.

Plastic – Primer is required.

Repainting

1. Make sure all necessary preparations of the pan cover, the bottom cover, and the cable lid have been made, see *Preparations on page 3*.
2. Apply a thin and even layer of spray paint according to the instructions of the paint manufacturer.
3. Let the paint dry.
4. To get a better coverage and clearer color, apply a second layer of spray paint.
5. When the paint is dry, remove the masking.



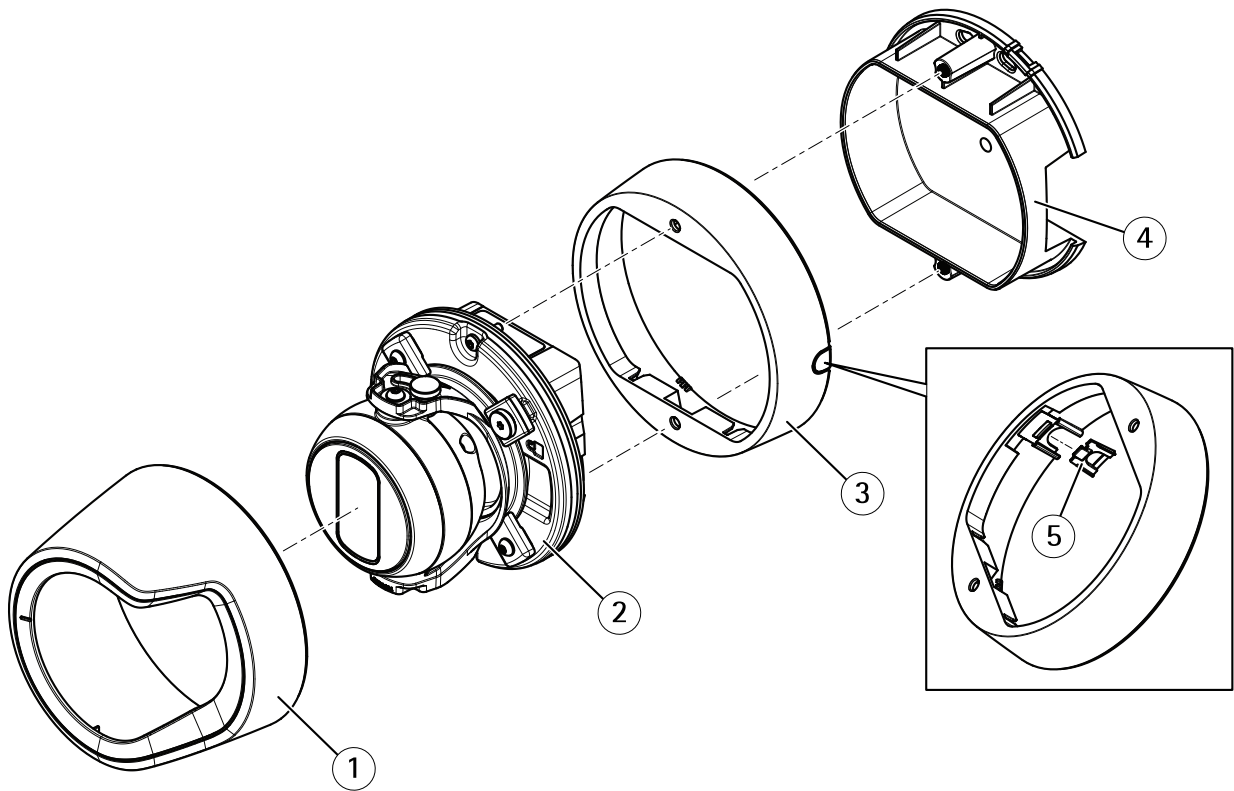
- 1 Pan cover
- 2 Cable lid
- 3 Bottom cover

Reassembly

Reassemble the product.

AXIS M31 Series

How to repaint the product



- 1 Pan cover
- 2 Camera unit
- 3 Bottom cover
- 4 Mounting bracket
- 5 Cable lid

