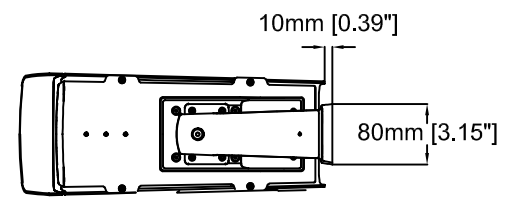
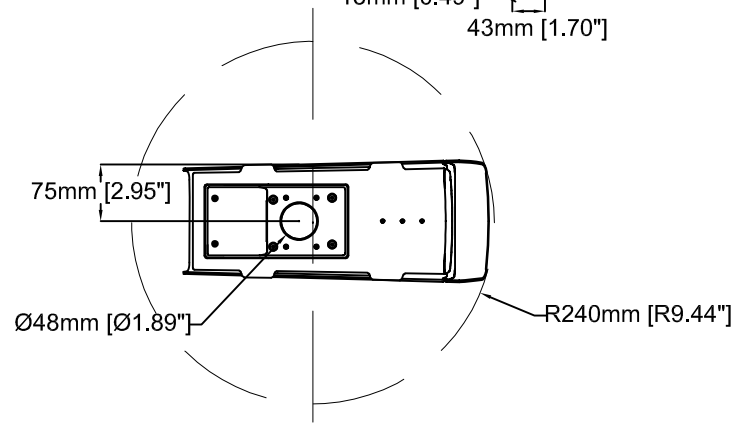
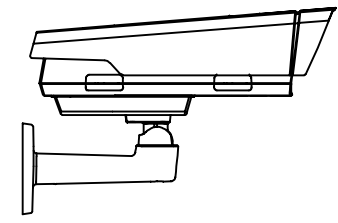
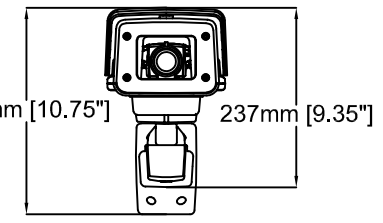
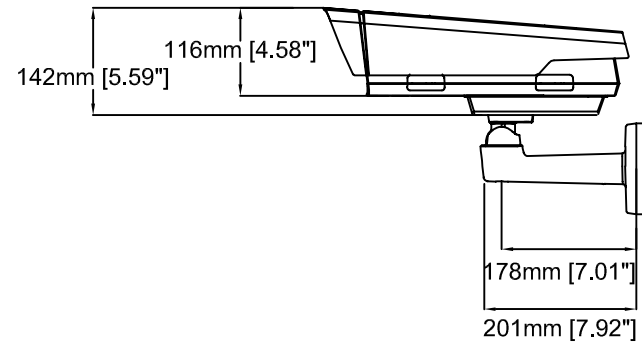
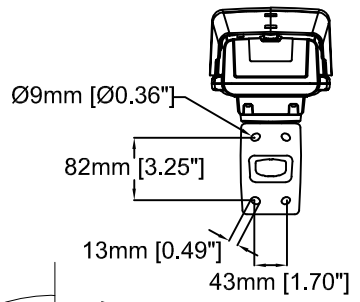
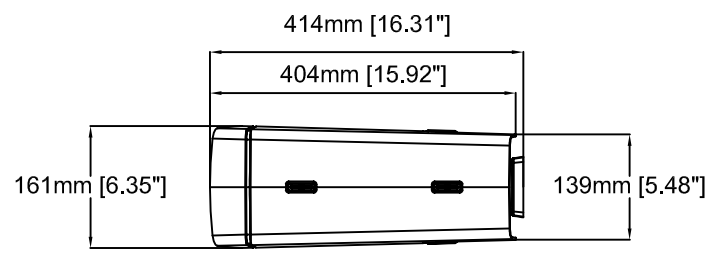


R242mm [R9.52"]



AXIS Q1615-E Mk II Network Camera

| | | | |
|------------|---------|---------------|------------|
| Revision | v.02 | Revision date | 2017-08-14 |
| Paper size | A4 | Release date | 2017-02-01 |
| Created by | JOT/GAB | Scale | 1:10 |