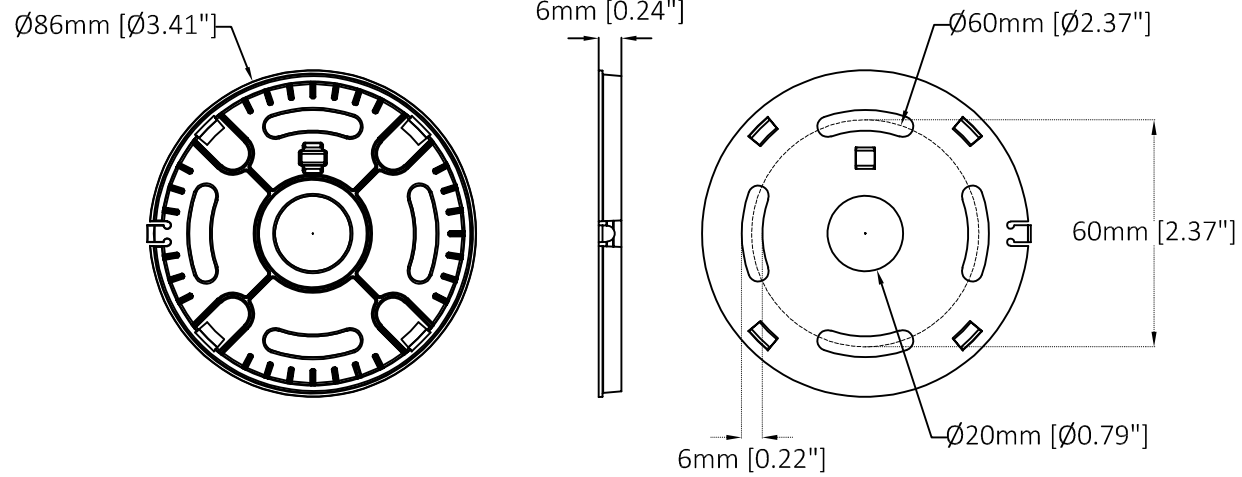
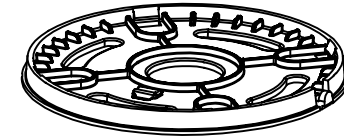


|            |      |               |            |
|------------|------|---------------|------------|
| Revision   | v.01 | Revision date | 2017-05-03 |
| Paper size | A4   | Release date  | 2017-05-03 |
| Created by | NAA  | Scale         | 1:2        |



|            |      |               |            |
|------------|------|---------------|------------|
| Revision   | v.01 | Revision date | 2017-05-03 |
| Paper size | A4   | Release date  | 2017-05-03 |
| Created by | NAA  | Scale         | 1:2        |